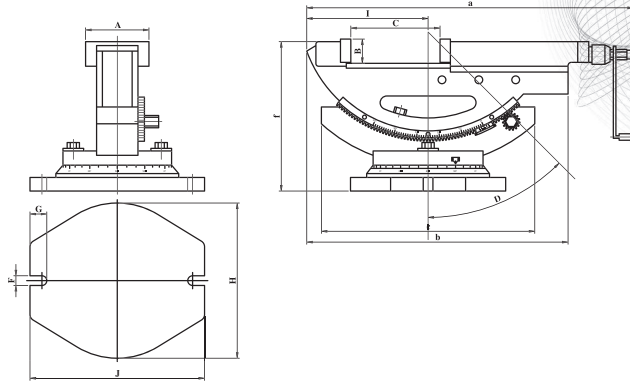




# Tilting Hydraulic Machine Vise



- The same as characters of VH type. Swivel base same as VH type.
- Tilting seat set by two locking screws, works in high stability.
- Angle setting ranges from 0°~50°. Tilting degrees graduated for easy reading. Swivel base graduated to 360° and fixable in any position.
- THE (3 STEPS CLAMPING POSITION) SAME AS VH TYPE.
- Accuracy within 0.02mm
- Hydraulic-booster system is guaranteed for using 2 years limited.

Unit:mm

| ORDER NO. | A   | B  | C OPEN | D  | E  | F  | G  | H   | J   | a   | b   | c   | f   | Max. Clamp Force | G.W. (kgs) | Meas CFT | CODE NO. |
|-----------|-----|----|--------|----|----|----|----|-----|-----|-----|-----|-----|-----|------------------|------------|----------|----------|
| VHT-4     | 110 | 36 | 220    | 50 | 15 | 15 | 26 | 240 | 270 | 500 | 404 | 335 | 230 | 2500kgs          | (W)33.3    | 1.2      | 1002-020 |
| VHT-6     | 154 | 54 | 350    | 50 | 20 | 19 | 28 | 300 | 330 | 800 | 585 | 415 | 290 | 4500kgs          | (W)88      | 4.4      | 1002-021 |