

DIN 69871 - Shrink Fit Holder - SK40 AD/B

G2,5/20.000 rpm



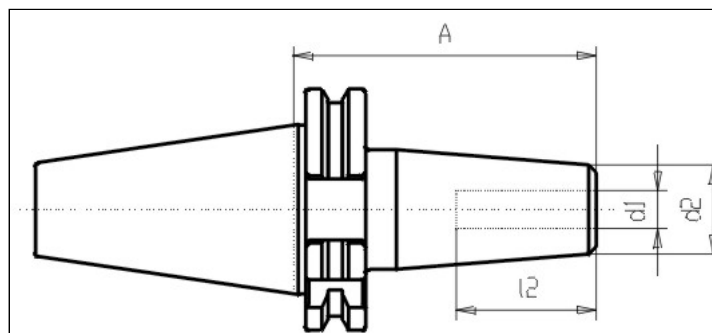
https://www.kfh-hermann.de/shop/product_info.php?products_id=88&XTCsid=n7eemf1jolajl8itk84fees403

Illustration



(https://www.kfh-hermann.de/shop/shop/images/product_images/original_images/bilder_B328.jpg?XTCsid=n7eemf1jolajl8itk84fees403)

Drawing



(https://www.kfh-hermann.de/shop/shop/images/product_images/original_images/skizzen_Z328mb.jp?XTCsid=n7eemf1jolajl8itk84fees403)

Technical information

Usage:	For milling-tools with cylindrical shaft type Weldon DIN 1835 Form B.
Version:	Suitable for internal coolant flow Form AD/B = either central or over collar
Accuracy:	Run-out max. 3 µm.
Customs tariff code:	84 661 02 0
Coolant supply:	combined coolant version AD/B
Balanced:	G2,5 20.000 rpm

Variants

Product No.	SK	d1	A	Form	l2	d2	d3	weight in kg	Stock 12.02, 08:14	Net-price
G328D 40x 3x 80	40	3	80	AD/B	--	12	20	--	3	Please start an inquiry
G328D 40x 3x120	40	3	120	AD/B	--	12	20	--	on inquiry	Please start an inquiry
G328D 40x 3x160	40	3	160	AD/B	--	12	20	--	on inquiry	Please start an inquiry
G328D 40x 4x 80	40	4	80	AD/B	--	15	25	--	9	Please start an inquiry
G328D 40x 4x120	40	4	120	AD/B	--	15	25	--	3	Please start an inquiry
G328D 40x 4x160	40	4	160	AD/B	--	15	25	--	on inquiry	Please start an inquiry
G328D 40x 5x 80	40	5	80	AD/B	--	15	25	--	on inquiry	Please start an inquiry
G328D 40x 5x120	40	5	120	AD/B	--	15	25	--	on inquiry	Please start an inquiry
G328D 40x 5x160	40	5	160	AD/B	--	15	25	--	on inquiry	Please start an inquiry
G328D 40x 6x 80	40	6	80	AD/B	36	20	27	1,05	on inquiry	Please start an inquiry
G328D 40x 6x120	40	6	120	AD/B	36	21	27	--	7	Please start an inquiry
G328D 40x 6x160	40	6	160	AD/B	36	21	27	1,4	3	Please start an inquiry

G328D 40x 8x 80	40	8	80	AD/B	36	20	27	1,05	18	Please start an inquiry
G328D 40x 8x120	40	8	120	AD/B	36	21	27	--	3	Please start an inquiry
G328D 40x 8x160	40	8	160	AD/B	36	21	27	1,35	2	Please start an inquiry
G328D 40x10x 80	40	10	80	AD/B	42	24	32	1,05	28	Please start an inquiry
G328D 40x10x120	40	10	120	AD/B	42	24	32	--	10	Please start an inquiry
G328D 40x10x160	40	10	160	AD/B	42	24	32	1,55	on inquiry	Please start an inquiry
G328D 40x12x 80	40	12	80	AD/B	47	24	32	1,05	on inquiry	Please start an inquiry
G328D 40x12x120	40	12	120	AD/B	47	24	32	--	2	Please start an inquiry
G328D 40x12x160	40	12	160	AD/B	47	24	32	1,55	on inquiry	Please start an inquiry
G328D 40x14x 80	40	14	80	AD/B	47	27	34	1,15	3	Please start an inquiry
G328D 40x14x120	40	14	120	AD/B	47	27	34	--	2	Please start an inquiry
G328D 40x14x160	40	14	160	AD/B	47	27	34	1,65	on inquiry	Please start an inquiry
G328D 40x16x 80	40	16	80	AD/B	50	27	34	1,15	on inquiry	Please start an inquiry
G328D 40x16x120	40	16	120	AD/B	50	27	34	--	3	Please start an inquiry
G328D 40x16x160	40	16	160	AD/B	50	27	34	1,65	2	Please start an inquiry
G328D 40x18x 80	40	18	80	AD/B	50	33	42	1,25	5	Please start an inquiry
G328D 40x18x120	40	18	120	AD/B	50	33	42	--	4	Please start an inquiry
G328D 40x18x160	40	18	160	AD/B	50	33	42	2,05	2	Please start an inquiry
G328D 40x20x 80	40	20	80	AD/B	52	33	42	1,25	26	Please start an inquiry
G328D 40x20x120	40	20	120	AD/B	52	33	42	--	3	Please start an inquiry
G328D 40x20x160	40	20	160	AD/B	52	33	42	2,05	on inquiry	Please start an inquiry
G328D 40x25x100	40	25	100	AD/B	58	44	53	1,7	1	Please start an inquiry
G328D 40x25x160	40	25	160	AD/B	58	44	53	2,6	on inquiry	Please start an inquiry
G328D 40x32x100	40	32	100	AD/B	58	44	53	1,4	1	Please start an inquiry
G328D 40x32x160	40	32	160	AD/B	58	44	53	2,4	on inquiry	Please start an inquiry

Stock data from 2024-02-12 08:14:41

Kontakt

KARL HERMANN GmbH | Varnbülerstrasse 10 - 12 | D - 71229 Leonberg || Tel.: +49 (0)7152 / 93992-0 | Fax: +49 (0)7152 / 93992-4 | E-Mail: verkauf@kfh-hermann.de | Internet: <http://www.kfh-hermann.de>

2024-02-13 10:39:45, https://www.kfh-hermann.de/shop/product_info.php?products_id=88&XCsid=n7eemf1jolajl8itk84fees403