

VDI - C2 Axial , left hand - VDI 20

https://www.kfh-hermann.de/shop/product_info.php?products_id=443&XTCsid=n7eemf1jolajl8itk84fees403

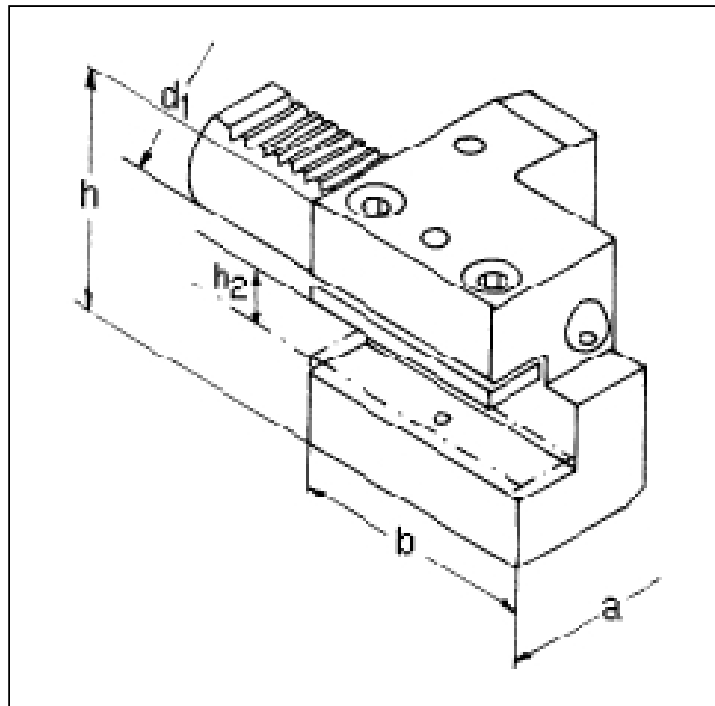


Illustration



(https://www.kfh-hermann.de/shop/shop/images/product_images/original_images/bilder_B47-C2.jpg?XTCsid=n7eemf1jolajl8itk84fees403)

Drawing



(https://www.kfh-hermann.de/shop/shop/images/product_images/original_images/skizzen_Z47-C2.jpg?XTCsid=n7eemf1jolajl8itk84fees403)

Technical information

| | |
|-----------------------------|--|
| Usage: | for clamping of turning chisels |
| Scope of delivery: | with paddings, clamping screws and stop screws |
| Customs tariff code: | 84 661 03 1 |

Variants

| Product No. | d1 | h2 | a | h | b | weight in kg | Stock 12.02, 08:14 | Net-price |
|-----------------|----|----|----|----|----|--------------|-----------------------|--------------------------------|
| VDI C2 20x16x50 | 20 | 16 | 52 | 55 | 50 | 1,2 | 5 | Please start an inquiry |

Stock data from 2024-02-12 08:14:41

Kontakt

KARL HERMANN GmbH | Varnbülerstrasse 10 - 12 | D - 71229 Leonberg | | Tel.: +49 (0)7152 / 93992-0 | Fax: +49 (0)7152 / 93992-4 | E-Mail: verkauf@kfh-hermann.de | Internet: <http://www.kfh-hermann.de>

2024-02-13 12:15:24, https://www.kfh-hermann.de/shop/product_info.php?products_id=443&XTCsid=n7eemf1jolajl8itk84fees403