

VDI - E2 Boring Bar Holder - VDI 30

https://www.kfh-hermann.de/shop/product_info.php?products_id=469&XTCSid=n7eemf1jolajl8itk84fees403

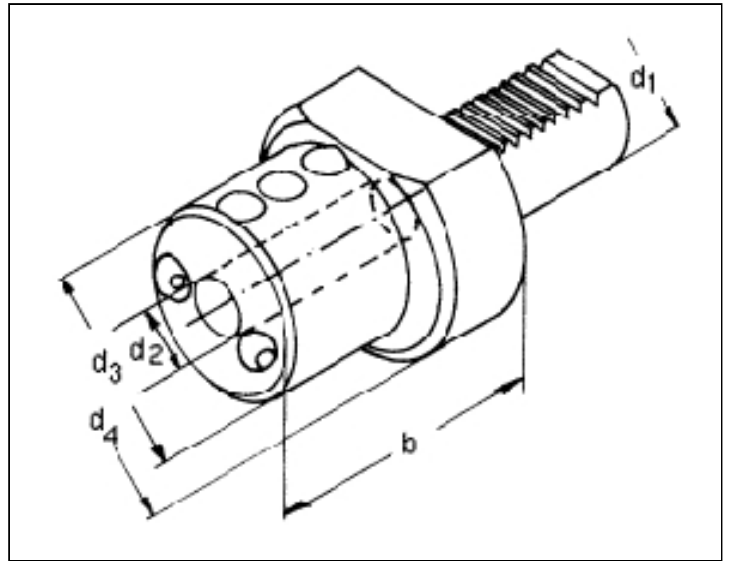


Illustration



(https://www.kfh-hermann.de/shop/shop/images/product_images/original_images/bilder_B47-E2.jpg?XTCSid=n7eemf1jolajl8itk84fees403)

Drawing



(https://www.kfh-hermann.de/shop/shop/images/product_images/original_images/skizzen_Z47-E2.jpg?XTCSid=n7eemf1jolajl8itk84fees403)

Technical information

Usage:	for clamping of cylindric shafts
Customs tariff code:	84 661 03 1

Variants

Product No.	d1	d2	b	d4	weight in kg	Stock 12.02, 08:14	Net-price
VDI E2 30x08x60	30	8	60	68	1,5	4	Please start an inquiry
VDI E2 30x10x60	30	10	60	68	1,5	4	Please start an inquiry
VDI E2 30x12x60	30	12	60		1,45	9	Please start an inquiry
VDI E2 30x16x60	30	16	60	68	1,45	17	Please start an inquiry
VDI E2 30x20x60	30	20	60	68	1,4	19	Please start an inquiry
VDI E2 30x25x60	30	25	60	68	1,3	8	Please start an inquiry
VDI E2 30x32x75	30	32	75	75	1,9	6	Please start an inquiry

Stock data from 2024-02-12 08:14:41

Kontakt

KARL HERMANN GmbH | Varnbülerstrasse 10 - 12 | D - 71229 Leonberg | | Tel.: +49 (0)7152 / 93992-0 | Fax: +49 (0)7152 / 93992-4 | E-Mail: verkauf@kfh-hermann.de | Internet: <http://www.kfh-hermann.de>

2024-02-13 12:30:33, https://www.kfh-hermann.de/shop/product_info.php?products_id=469&XTCSid=n7eemf1jolajl8itk84fees403

https://www.kfh-hermann.de/shop/print_product_info.php?products_id=469&XTCSid=n7eemf1jolajl8itk84fees403