

# VDI - E2 Boring Bar Holder - VDI 40

[https://www.kfh-hermann.de/shop/product\\_info.php?products\\_id=470&XTCsid=n7eemf1jolajl8itk84fees403](https://www.kfh-hermann.de/shop/product_info.php?products_id=470&XTCsid=n7eemf1jolajl8itk84fees403)

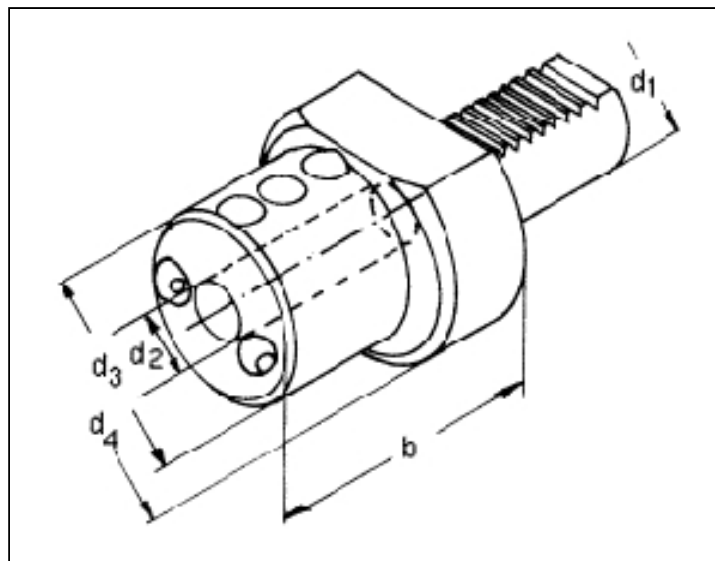


## Illustration



([https://www.kfh-hermann.de/shop/shop/images/product\\_images/original\\_images/bilder\\_B47-E2.jpg?XTCsid=n7eemf1jolajl8itk84fees403](https://www.kfh-hermann.de/shop/shop/images/product_images/original_images/bilder_B47-E2.jpg?XTCsid=n7eemf1jolajl8itk84fees403))

## Drawing



([https://www.kfh-hermann.de/shop/shop/images/product\\_images/original\\_images/skizzen\\_Z47-E2.jpg?XTCsid=n7eemf1jolajl8itk84fees403](https://www.kfh-hermann.de/shop/shop/images/product_images/original_images/skizzen_Z47-E2.jpg?XTCsid=n7eemf1jolajl8itk84fees403))

## Technical information

<b>Usage:</b>	for clamping of cylindric shafts
<b>Customs tariff code:</b>	84 661 03 1

## Variants

Product No.	d1	d2	b	d4	weight in kg	Stock 12.02, 08:14	Net-price
VDI E2 40x08x75	40	8	75	83	2,4	7	Please start an inquiry
VDI E2 40x10x75	40	10	75	83	2,4	5	Please start an inquiry
VDI E2 40x12x75	40	12	75	83	2,4	4	Please start an inquiry
VDI E2 40x16x75	40	16	75	83	2,35	6	Please start an inquiry
VDI E2 40x20x75	40	20	75	83	2,3	13	Please start an inquiry
VDI E2 40x25x75	40	25	75	83	2,2	7	Please start an inquiry
VDI E2 40x32x75	40	32	75	83	3,1	8	Please start an inquiry
VDI E2 40x40x90	40	40	90	83	3,4	9	Please start an inquiry
VDI E2 40x50x90	40	50	90		--	13	Please start an inquiry

Stock data from 2024-02-12 08:14:41

## Kontakt

13.02.2024, 12:30

VDI - E2 Boring Bar Holder - VDI 40

KARL HERMANN GmbH | Varnbülerstrasse 10 - 12 | D - 71229 Leonberg | | Tel.: +49 (0)7152 / 93992-0 | Fax: +49 (0)7152 / 93992-4 |  
E-Mail: [verkauf@kfh-hermann.de](mailto:verkauf@kfh-hermann.de) | Internet: <http://www.kfh-hermann.de>

2024-02-13 12:30:48, [https://www.kfh-hermann.de/shop/product\\_info.php?products\\_id=470&XTCsid=n7eemf1jolajl8itk84fees403](https://www.kfh-hermann.de/shop/product_info.php?products_id=470&XTCsid=n7eemf1jolajl8itk84fees403)