

VDI - E4 Collet Chuck ER - VDI 40

https://www.kfh-hermann.de/shop/product_info.php?products_id=480&XTCsid=n7eemf1jolajl8itk84fees403

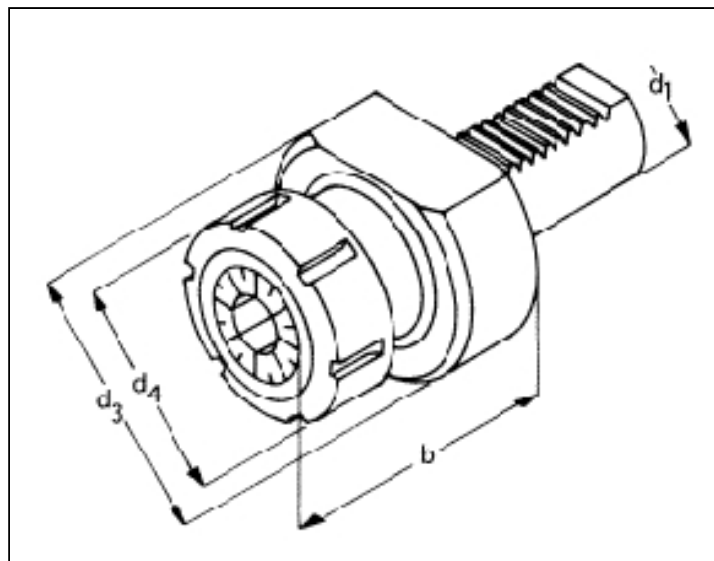


Illustration



(https://www.kfh-hermann.de/shop/shop/images/product_images/original_images/bilder_B47-E4.jpg?XTCsid=n7eemf1jolajl8itk84fees403)

Drawing



(https://www.kfh-hermann.de/shop/shop/images/product_images/original_images/skizzen_Z47-E4.jpg?XTCsid=n7eemf1jolajl8itk84fees403)

Technical information

| | |
|-----------------------------|--|
| Usage: | for clamping of cylindric shafts over collets DIN 6499 |
| Scope of delivery: | with clamping nut |
| Customs tariff code: | 84 661 03 1 |

Variants

| Product No. | d1 | Typ ER | Range ER | b | d3 | weight in kg | Stock 12.02, 08:14 | Net-price |
|----------------|----|--------|----------|----|----|--------------|-----------------------|--------------------------------|
| VDI E4 40xER25 | 40 | 25 | 3-26 | 70 | 83 | 1,6 | 2 | Please start an inquiry |
| VDI E4 40xER32 | 40 | 32 | 2-20 | 62 | 83 | 1,7 | 30 | Please start an inquiry |
| VDI E4 40xER40 | 40 | 40 | 3-26 | 75 | 83 | 1,95 | on inquiry | Please start an inquiry |

Stock data from 2024-02-12 08:14:41

Kontakt

KARL HERMANN GmbH | Varnbülerstrasse 10 - 12 | D - 71229 Leonberg | | Tel.: +49 (0)7152 / 93992-0 | Fax: +49 (0)7152 / 93992-4 | E-Mail: verkauf@kfh-hermann.de | Internet: <http://www.kfh-hermann.de>

2024-02-13 12:34:23, https://www.kfh-hermann.de/shop/product_info.php?products_id=480&XTCsid=n7eemf1jolajl8itk84fees403