

VDI - E4 Collet Chuck ER - VDI 50

https://www.kfh-hermann.de/shop/product_info.php?products_id=481&XTCsid=n7eemf1jolajl8itk84fees403

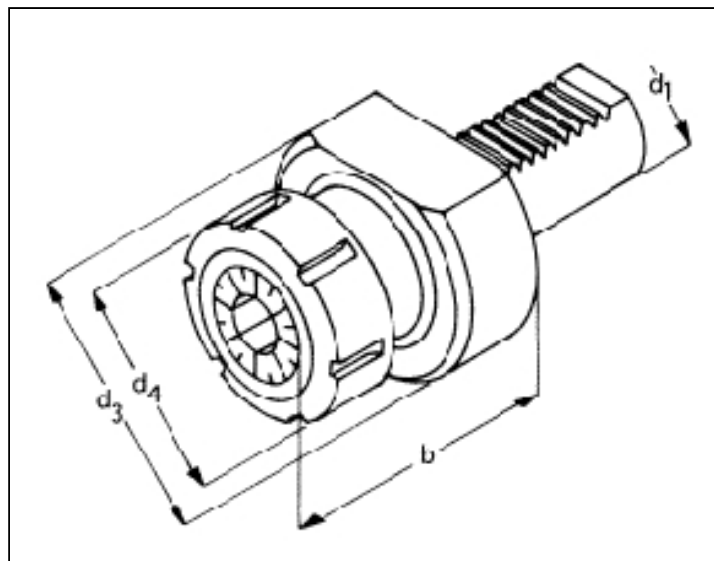


Illustration



(https://www.kfh-hermann.de/shop/shop/images/product_images/original_images/bilder_B47-E4.jpg?XTCsid=n7eemf1jolajl8itk84fees403)

Drawing



(https://www.kfh-hermann.de/shop/shop/images/product_images/original_images/skizzen_Z47-E4.jpg?XTCsid=n7eemf1jolajl8itk84fees403)

Technical information

Usage:	for clamping of cylindric shafts over collets DIN 6499
Scope of delivery:	with clamping nut
Customs tariff code:	84 661 03 1

Variants

Product No.	d1	Typ ER	Range ER	b	d3	weight in kg	Stock 12.02, 08:14	Net-price
VDI E4 50xER32	50	32	2-20	60	98	3	1	Please start an inquiry
VDI E4 50xER40	50	40	3-26	75	98	3,2	3	Please start an inquiry

Stock data from 2024-02-12 08:14:41

Kontakt

KARL HERMANN GmbH | Varnbülerstrasse 10 - 12 | D - 71229 Leonberg | | Tel.: +49 (0)7152 / 93992-0 | Fax: +49 (0)7152 / 93992-4 | E-Mail: verkauf@kfh-hermann.de | Internet: <http://www.kfh-hermann.de>

2024-02-13 12:34:51, https://www.kfh-hermann.de/shop/product_info.php?products_id=481&XTCsid=n7eemf1jolajl8itk84fees403