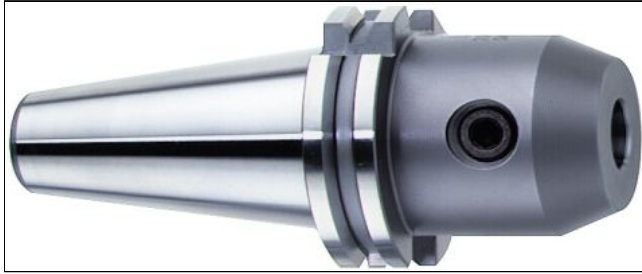


DIN 69871 - Weldon with Coolant Grooves - SK40 AD/B G6,3/15.000 rpm



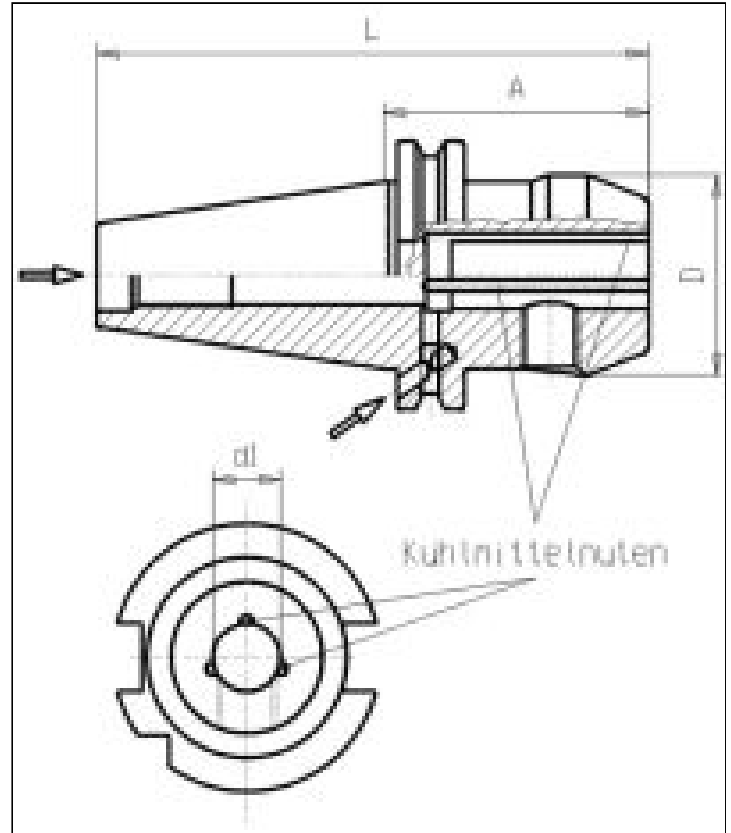
https://www.kfh-hermann.de/shop/product_info.php?products_id=86&XTCsid=n7eemf1jolajl8itk84fees403

Illustration



(https://www.kfh-hermann.de/shop/shop/images/product_images/original_images/bilder_B320.jpg?XTCsid=n7eemf1jolajl8itk84fees403)

Drawing



(https://www.kfh-hermann.de/shop/shop/images/product_images/original_images/skizzen_Z323Dmb.jpg?XTCsid=n7eemf1jolajl8itk84fees403)

Technical information

Usage:	For milling-tools with cylindrical shaft type Weldon DIN 1835 Form B. Suitable for internal coolant flow Form AD/B = either central or over collar. Coolant channels in the collar are closed by a plastic dowel which can be removed if necessary. Please don't re-use the removed plastic dowels.
Scope of delivery:	with 1 clamping screw, from Dia 25mm with 2 screws
Accuracy:	Runout 15µm max. a 3 x d. Due to the eccentric grinding of the bores, the run-out can only be checked by inserting a qualified tool blank. Do NOT measure bore ! (see technical information)
Customs tariff code:	84 661 02 0
Coolant supply:	combined coolant version AD/B
Balanced:	G6,3 15.000 rpm / fine-balancing on grade G2,5 and/or higher rotations is possible with uplift price

Variants

Product No.	SK	d1	A	Form	L	D	grooves	weight in kg	Stock 12.02, 08:14	Net-price

G323D40x 6x 50	40	6	50	AD/B	119	25	2	0,9	> 50	Please start an inquiry
G323D40x 6x100	40	6	100	AD/B	169	25	2	--	35	Please start an inquiry
G323D40x 8x 50	40	8	50	AD/B	119	28	2	1	> 50	Please start an inquiry
G323D40x 8x100	40	8	100	AD/B	169	28	2	--	32	Please start an inquiry
G323D40x10x 50	40	10	50	AD/B	119	35	2	1	35	Please start an inquiry
G323D40x10x100	40	10	100	AD/B	169	35	2	--	> 50	Please start an inquiry
G323D40x12x 50	40	12	50	AD/B	119	42	2	1,1	> 50	Please start an inquiry
G323D40x12x100	40	12	100	AD/B	169	42	2	--	27	Please start an inquiry
G323D40x14x 50	40	14	50	AD/B	119	42	2	1,1	31	Please start an inquiry
G323D40x14x100	40	14	100	AD/B	169	42	2	--	9	Please start an inquiry
G323D40x16x 63	40	16	63	AD/B	132	48	2	1,3	> 50	Please start an inquiry
G323D40x16x100	40	16	100	AD/B	169	48	2	--	22	Please start an inquiry
G323D40x18x 63	40	18	63	AD/B	132	48	2	1,3	33	Please start an inquiry
G323D40x18x100	40	18	100	AD/B	169	48	2	--	on inquiry	Please start an inquiry
G323D40x20x 63	40	20	63	AD/B	132	52	2	1,3	48	Please start an inquiry
G323D40x20x100	40	20	100	AD/B	169	52	2	--	35	Please start an inquiry
G323D40x22x 63	40	22	63	AD/B	132	52	2	--	2	Please start an inquiry
G323D40x25x100	40	25	100	AD/B	169	63	2	2,3	8	Please start an inquiry

Stock data from 2024-02-12 08:14:41

Kontakt

KARL HERMANN GmbH | Varnbülerstrasse 10 - 12 | D - 71229 Leonberg | | Tel.: +49 (0)7152 / 93992-0 | Fax: +49 (0)7152 / 93992-4 | E-Mail: verkauf@kfh-hermann.de | Internet: <http://www.kfh-hermann.de>

2024-02-13 10:43:01, https://www.kfh-hermann.de/shop/product_info.php?products_id=86&XTCsid=n7eemf1jolajl8itk84fees403