

# DIN 69871 - Weldon with Coolant Grooves - SK50 AD/B G6,3 15.000 rpm



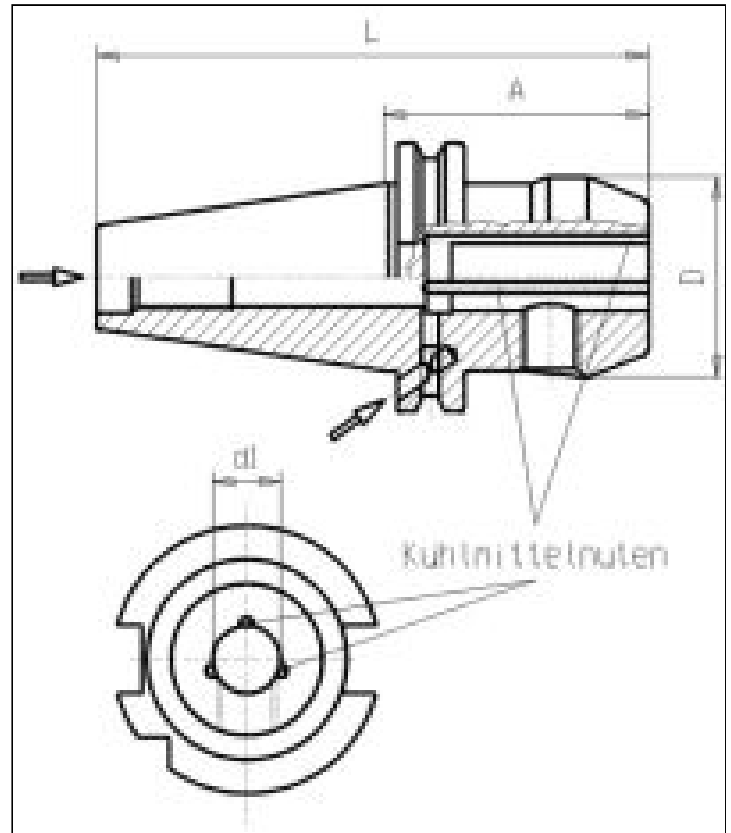
[https://www.kfh-hermann.de/shop/product\\_info.php?products\\_id=87&XTCsid=n7eemf1jolajl8itk84fees403](https://www.kfh-hermann.de/shop/product_info.php?products_id=87&XTCsid=n7eemf1jolajl8itk84fees403)

## Illustration



([https://www.kfh-hermann.de/shop/shop/images/product\\_images/original\\_images/bilder\\_B320.jpg?XTCsid=n7eemf1jolajl8itk84fees403](https://www.kfh-hermann.de/shop/shop/images/product_images/original_images/bilder_B320.jpg?XTCsid=n7eemf1jolajl8itk84fees403))

## Drawing



([https://www.kfh-hermann.de/shop/shop/images/product\\_images/original\\_images/skizzen\\_Z323Dmb.jpg?XTCsid=n7eemf1jolajl8itk84fees403](https://www.kfh-hermann.de/shop/shop/images/product_images/original_images/skizzen_Z323Dmb.jpg?XTCsid=n7eemf1jolajl8itk84fees403))

## Technical information

<b>Usage:</b>	For milling-tools with cylindrical shaft type Weldon DIN 1835 Form B. Suitable for internal coolant flow Form AD/B = either central or over collar. Coolant channels in the collar are closed by a plastic dowel which can be removed if necessary. Please don't re-use the removed plastic dowels.
<b>Scope of delivery:</b>	with 1 clamping screw, from Dia 25mm with 2 screws
<b>Accuracy:</b>	Runout 15µm max. a 3 x d. Due to the eccentric grinding of the bores, the run-out can only be checked by inserting a qualified tool blank. Do NOT measure bore ! (see technical information)
<b>Customs tariff code:</b>	84 661 02 0
<b>Coolant supply:</b>	combined coolant version AD/B
<b>Balanced:</b>	G6,3 15.000 rpm / fine-balancing on grade G2,5 and/or higher rotations is possible with uplift price

## Variants

Product No.	SK	d1	A	Form	L	D	grooves	weight in kg	Stock 12.02, 08:14	Net-price

G323D50x 6x 63	50	6	63	AD/B	165	25	2	2,9	23	Please start an inquiry
G323D50x 8x 63	50	8	63	AD/B	165	28	2	2,9	9	Please start an inquiry
G323D50x10x 63	50	10	63	AD/B	165	35	2	2,9	11	Please start an inquiry
G323D50x12x 63	50	12	63	AD/B	165	42	2	3,1	27	Please start an inquiry
G323D50x14x 63	50	14	63	AD/B	165	42	2	3,1	4	Please start an inquiry
G323D50x16x 63	50	16	63	AD/B	165	48	2	3,1	16	Please start an inquiry
G323D50x18x 63	50	18	63	AD/B	165	48	2	3,1	15	Please start an inquiry
G323D50x20x 63	50	20	63	AD/B	165	52	2	3,2	28	Please start an inquiry
G323D50x22x 63	50	22	63	AD/B	165	52	2	--	6	Please start an inquiry
G323D50x25x 80	50	25	80	AD/B	182	63	2	3,8	9	Please start an inquiry
G323D50x32x100	50	32	100	AD/B	202	70	2	4,6	24	Please start an inquiry
G323D50x40x100	50	40	100	AD/B	202	90	2	4,9	14	Please start an inquiry

Stock data from 2024-02-12 08:14:41

## Kontakt

KARL HERMANN GmbH | Varnbülerstrasse 10 - 12 | D - 71229 Leonberg | | Tel.: +49 (0)7152 / 93992-0 | Fax: +49 (0)7152 / 93992-4 | E-Mail: [verkauf@kfh-hermann.de](mailto:verkauf@kfh-hermann.de) | Internet: <http://www.kfh-hermann.de>

2024-02-13 10:43:23, [https://www.kfh-hermann.de/shop/product\\_info.php?products\\_id=87&XTCsid=n7eemf1jolajl8itk84fees403](https://www.kfh-hermann.de/shop/product_info.php?products_id=87&XTCsid=n7eemf1jolajl8itk84fees403)