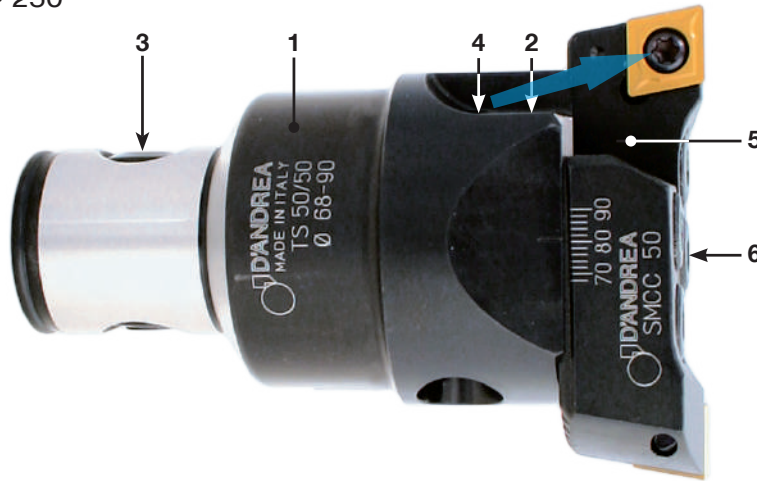


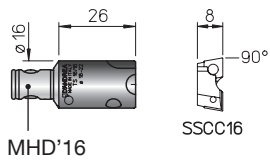
## TS 16 ~ 80 Ø 18 ~ 250

Simple and extremely rigid roughing heads, thanks to the serrated surfaces between the head body and the bit holders. The constant distance between the bit holder clamping screw and the cutting edge guarantees the stability of the system.

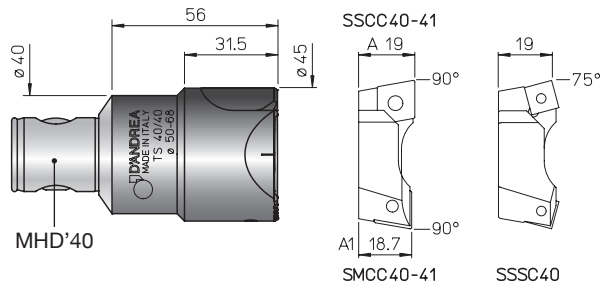


- 1. Body
- 2. Setting screws
- 3. Expanding pin
- 4. Coolant outlets  
**Max BAR 40**
- 5. Bit holders
- 6. Tools clamp screws

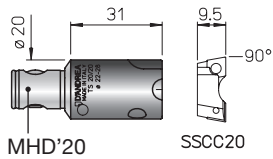
### TS 16/16 Ø 18 ~ 22



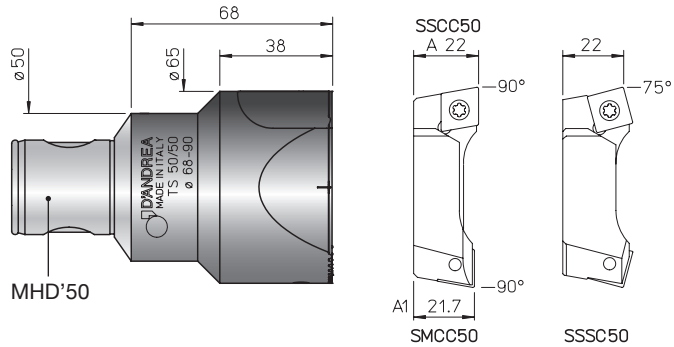
### TS 40/40 Ø 50 ~ 68



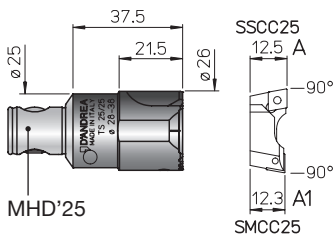
### TS 20/20 Ø 22 ~ 28



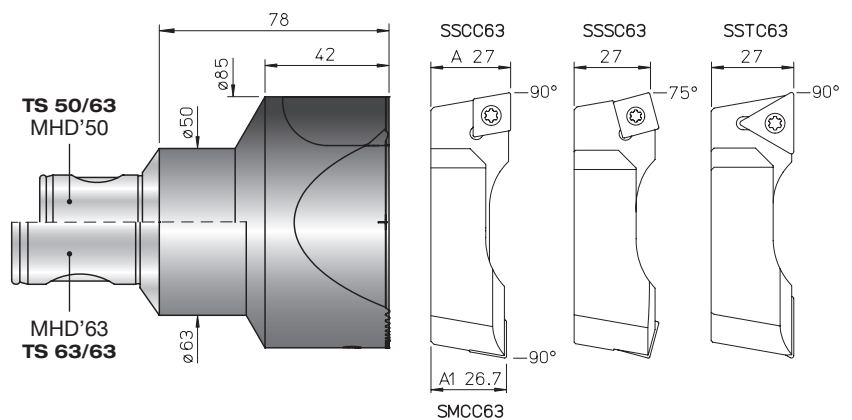
### TS 50/50 Ø 68 ~ 90



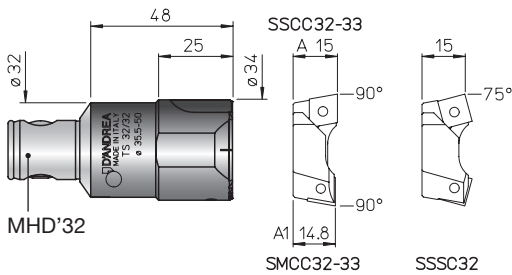
### TS 25/25 Ø 28 ~ 38



### TS 50/63 - TS 63/63 Ø 90 ~ 120



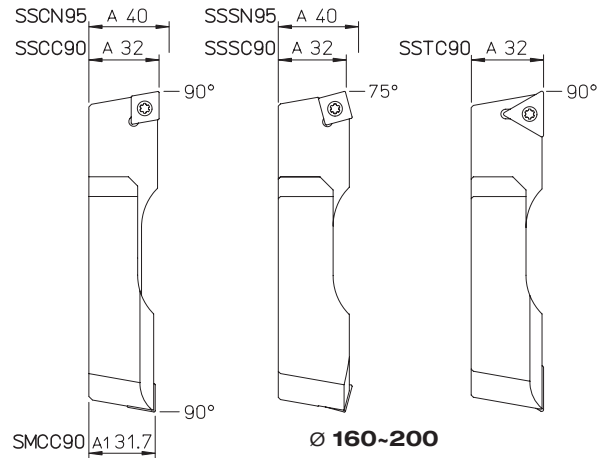
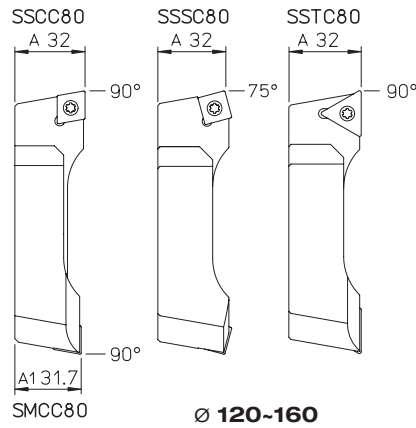
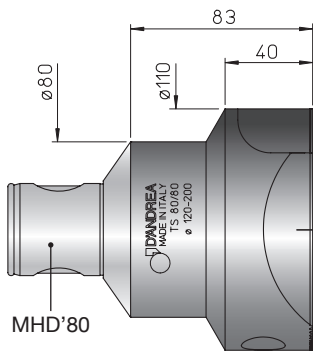
### TS 32/32 Ø 35.5 ~ 50



REF.	CODE	kg
TS 16/16	455501600340	0.05
TS 20/20	455502000400	0.09
TS 25/25	455502500510	0.2
TS 32/32	455503200638	0.35
TS 40/40	455504040070	0.7

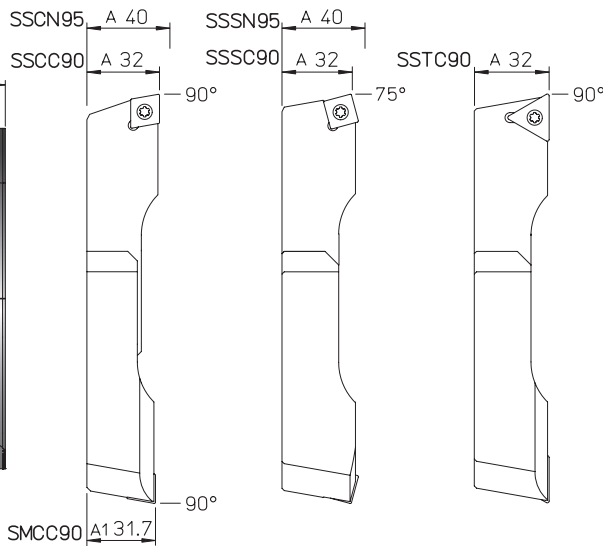
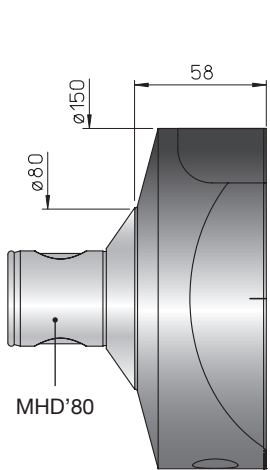
REF.	CODE	kg
TS 50/50	455505050090	1.5
TS 50/63	455505063100	2
TS 63/63	455506363100	3
TS 80/80	455508080110	5.3
TS 80/90	455508090090	6.3

## TS 80/80 Ø 120 ~ 200



## TS 80/90 Ø 160 ~ 250

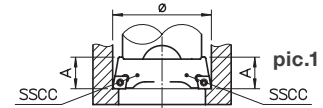
### USE



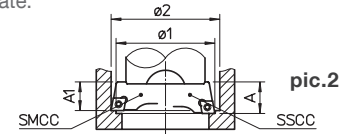
Ø 160~250

### USE TS for ROUGHING end SEMI-FINISHING operations

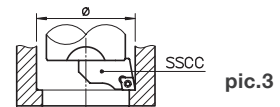
Roughing and semi-finishing operations. Cutting edges might be adjusted on a pre-setting bench and TS heads can be used in three different configurations, with a single cutting edge (pic. 3) or misaligned ones (pic.2) half the feed.



pic.1 with two SSCC bit holders aligned and on the same diameter for roughing operations with high feedrate.



pic.2 with one SSCC bit holder and one SMCC bit holder staggered and on a different diameter for roughing operations with high depth of cut.



pic.3 with a single bit holder for roughing or semi-finishing operations.

REF.	CODE		TS	TORX	T	kg
SSCC 16	470500516201	CCMT 0602..	25	08	0.003	
SSCC 20	470500520201	CCMT 0602..	25	08	0.006	
SSCC 25	470500525201	CCMT 0602..	25	08	0.1	
SSCC 32	470500532201	CCMT 0602..	25	08	0.02	
SSCC 33	470500532204	CCMT 09T3..	4	15	0.025	
SSCC 40	470500540201	CCMT 09T3..	4	15	0.06	
SSCC 41	470500540204	CCMT 1204..	5	25	0.06	
SSCC 50	470500550204	CCMT 1204..	5	25	0.1	
SSCC 63	470500563201	CCMT 1204..	5	25	0.2	
SSCC 80	470500580201	CCMT 1204..	5	25	0.5	
SSCC 90	470500590201	CCMT 1204..	5	25	0.7	
SSCN 95	470500595201	CNM. 1906..			0.9	
SSTC 63	470500563206	TCMT 2204..	5	25	0.2	
SSTC 80	470500580206	TCMT 2204..	5	25	0.5	
SSTC 90	470500590206	TCMT 2204..	5	25	0.7	

REF.	CODE		TS	TORX	T	kg
SMCC 25	470500525203	CCMT 0602..	25	08	0.01	
SMCC 32	470500532203	CCMT 0602..	25	08	0.02	
SMCC 33	470500532205	CCMT 09T3..	4	15	0.025	
SMCC 40	470500540203	CCMT 09T3..	4	15	0.06	
SMCC 41	470500540205	CCMT 1204..	5	25	0.06	
SMCC 50	470500550205	CCMT 1204..	5	25	0.1	
SMCC 63	470500563203	CCMT 1204..	5	25	0.2	
SMCC 80	470500580203	CCMT 1204..	5	25	0.5	
SMCC 90	470500590203	CCMT 1204..	25	08	0.7	
SSSC 32	470500532202	SCMT 09T3..	4	15	0.02	
SSSC 40	470500540202	SCMT 09T3..	4	15	0.06	
SSSC 50	470500550202	SCMT 1204..	5	25	0.1	
SSSC 63	470500563202	SCMT 1204..	5	25	0.2	
SSSC 80	470500580202	SCMT 1204..	5	25	0.5	
SSSC 90	470500590202	SCMT 1204..	5	25	0.7	
SSSN 95	470500595202	SNM. 1906..			0.9	

• For back-facing machining see p.26