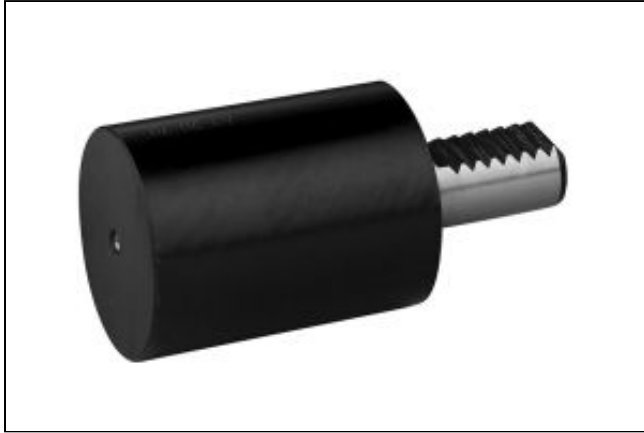


VDI - A2 Soft Blank Round - VDI 16

https://www.kfh-hermann.de/shop/product_info.php?products_id=392&XTCsid=n7eemf1jolajl8itk84fees403

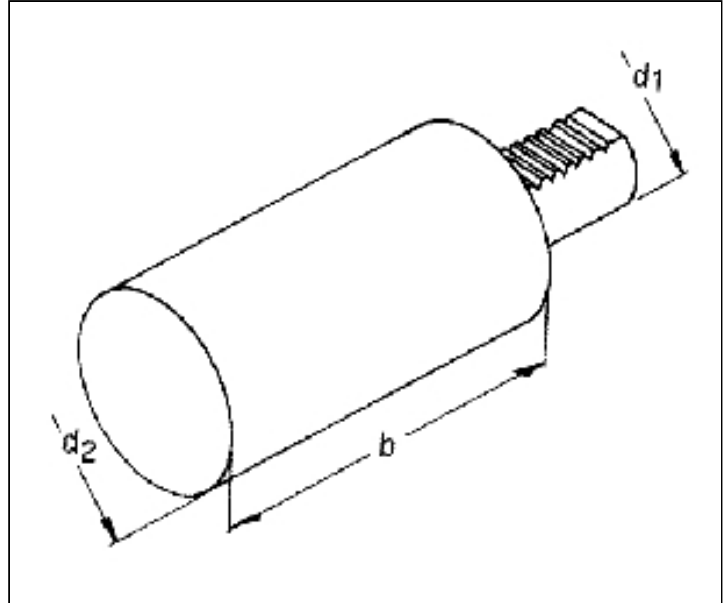


Illustration



(https://www.kfh-hermann.de/shop/shop/images/product_images/original_images/bilder_B47-A2.jpg?XTCsid=n7eemf1jolajl8itk84fees403)

Drawing



(https://www.kfh-hermann.de/shop/shop/images/product_images/original_images/skizzen_Z47-A2.jpg?XTCsid=n7eemf1jolajl8itk84fees403)

Technical information

Usage:	blank bar for production of special toolholders
Customs tariff code:	84 661 03 1

Variants

Product No.	d1	d2	b	weight in kg	Stock 12.02, 08:14	Net-price
VDI A2 16x40x60	16	40	60	0,7	on inquiry	Please start an inquiry

Stock data from 2024-02-12 08:14:41

Kontakt

KARL HERMANN GmbH | Varnbülerstrasse 10 - 12 | D - 71229 Leonberg | | Tel.: +49 (0)7152 / 93992-0 | Fax: +49 (0)7152 / 93992-4 | E-Mail: verkauf@kfh-hermann.de | Internet: <http://www.kfh-hermann.de>

2024-02-13 11:43:30, https://www.kfh-hermann.de/shop/product_info.php?products_id=392&XTCsid=n7eemf1jolajl8itk84fees403