

VDI - E1 U-Drill Holder - VDI 30

https://www.kfh-hermann.de/shop/product_info.php?products_id=464&XTCsid=n7eemf1jolajl8itk84fees403

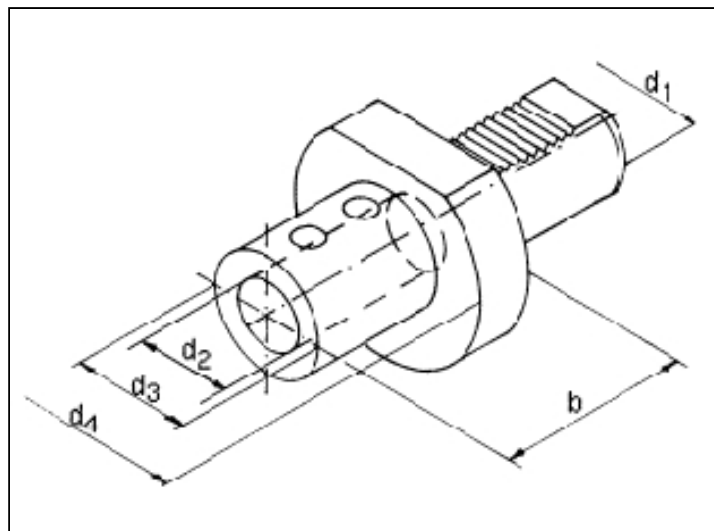


Illustration



(https://www.kfh-hermann.de/shop/shop/images/product_images/original_images/bilder_B47-E1.jpg?XTCsid=n7eemf1jolajl8itk84fees403)

Drawing



(https://www.kfh-hermann.de/shop/shop/images/product_images/original_images/skizzen_Z47-E1.jpg?XTCsid=n7eemf1jolajl8itk84fees403)

Technical information

Usage:	for clamping of cylindric shafts, boring tools
Customs tariff code:	84 661 03 1

Variants

Product No.	d1	d2	b	d4	weight in kg	Stock 12.02, 08:14	Net-price
VDI E1 30x16x66	30	16	66	68	1,2	3	Please start an inquiry
VDI E1 30x20x67	30	20	67	68	1,2	1	Please start an inquiry
VDI E1 30x25x71	30	25	71	68	1,25	7	Please start an inquiry
VDI E1 30x32x75	30	32	75	68	1,35	6	Please start an inquiry

Stock data from 2024-02-12 08:14:41

Kontakt

KARL HERMANN GmbH | Varnbülerstrasse 10 - 12 | D - 71229 Leonberg | | Tel.: +49 (0)7152 / 93992-0 | Fax: +49 (0)7152 / 93992-4 | E-Mail: verkauf@kfh-hermann.de | Internet: <http://www.kfh-hermann.de>

2024-02-13 12:28:57, https://www.kfh-hermann.de/shop/product_info.php?products_id=464&XTCsid=n7eemf1jolajl8itk84fees403