

VDI - E1 U-Drill Holder - VDI 40

https://www.kfh-hermann.de/shop/product_info.php?products_id=465&XTCsid=n7eemf1jolajl8itk84fees403

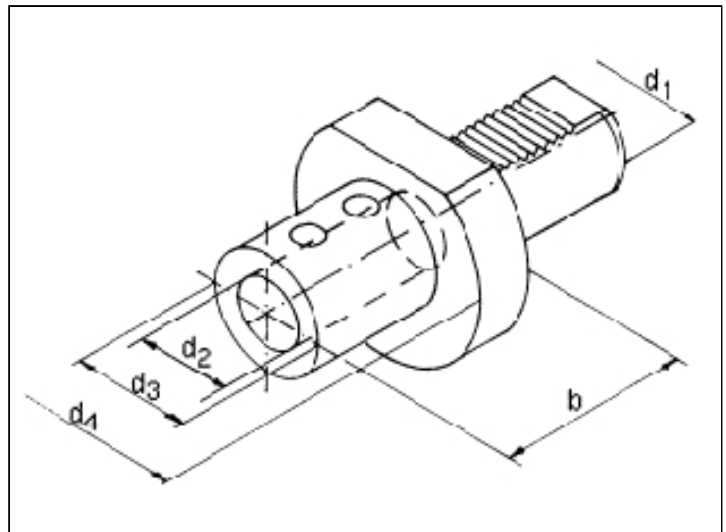


Illustration



(https://www.kfh-hermann.de/shop/shop/images/product_images/original_images/bilder_B47-E1.jpg?XTCsid=n7eemf1jolajl8itk84fees403)

Drawing



(https://www.kfh-hermann.de/shop/shop/images/product_images/original_images/skizzen_Z47-E1.jpg?XTCsid=n7eemf1jolajl8itk84fees403)

Technical information

Usage:	for clamping of cylindric shafts, boring tools
Customs tariff code:	84 661 03 1

Variants

Product No.	d1	d2	b	d4	weight in kg	Stock 12.02, 08:14	Net-price
VDI E1 40x16x66	40	16	66	83	1,8	3	Please start an inquiry
VDI E1 40x20x67	40	20	67	83	1,75	on inquiry	Please start an inquiry
VDI E1 40x25x75	40	25	75	83	1,9	on inquiry	Please start an inquiry
VDI E1 40x32x75	40	32	75	83	2	4	Please start an inquiry
VDI E1 40x40x90	40	40	90	83	2,2	on inquiry	Please start an inquiry

Stock data from 2024-02-12 08:14:41

Kontakt

KARL HERMANN GmbH | Varnbülerstrasse 10 - 12 | D - 71229 Leonberg | | Tel.: +49 (0)7152 / 93992-0 | Fax: +49 (0)7152 / 93992-4 | E-Mail: verkauf@kfh-hermann.de | Internet: <http://www.kfh-hermann.de>

2024-02-13 12:29:10, https://www.kfh-hermann.de/shop/product_info.php?products_id=465&XTCsid=n7eemf1jolajl8itk84fees403