

VDI - E1 U-Drill Holder - VDI 50

https://www.kfh-hermann.de/shop/product_info.php?products_id=466&XTCsid=n7eemf1jolajl8itk84fees403

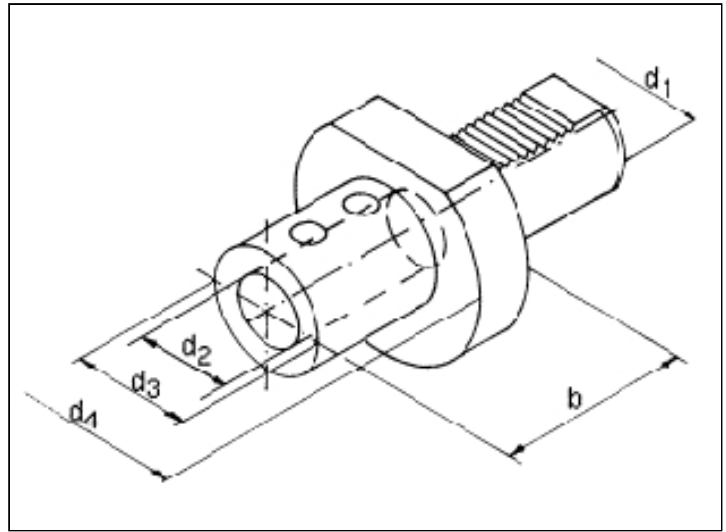


Illustration



(https://www.kfh-hermann.de/shop/shop/images/product_images/original_images/bilder_B47-E1.jpg?XTCsid=n7eemf1jolajl8itk84fees403)

Drawing



(https://www.kfh-hermann.de/shop/shop/images/product_images/original_images/skizzen_Z47-E1.jpg?XTCsid=n7eemf1jolajl8itk84fees403)

Technical information

Usage:	for clamping of cylindric shafts, boring tools
Customs tariff code:	84 661 03 1

Variants

Product No.	d1	d2	b	d4	weight in kg	Stock 12.02, 08:14	Net-price
VDI E1 50x16x67	50	16	67	98	--	1	Please start an inquiry
VDI E1 50x20x67	50	20	67	98	3	2	Please start an inquiry
VDI E1 50x25x80	50	25	80	98	3,1	4	Please start an inquiry
VDI E1 50x32x80	50	32	80	98	3,3	3	Please start an inquiry
VDI E1 50x40x90	50	40	90	98	3,6	3	Please start an inquiry
VDI E1 50x50x10	50	50	100	98	3,7	2	Please start an inquiry

Stock data from 2024-02-12 08:14:41

Kontakt

KARL HERMANN GmbH | Varnbülerstrasse 10 - 12 | D - 71229 Leonberg | | Tel.: +49 (0)7152 / 93992-0 | Fax: +49 (0)7152 / 93992-4 | E-Mail: verkauf@kfh-hermann.de | Internet: <http://www.kfh-hermann.de>

2024-02-13 12:29:23, https://www.kfh-hermann.de/shop/product_info.php?products_id=466&XTCsid=n7eemf1jolajl8itk84fees403