

MAS-BT - Reduction Arbor - BT40

https://www.kfh-hermann.de/shop/product_info.php?products_id=189&XTCsid=n7eemf1jolajl8itk84fees403

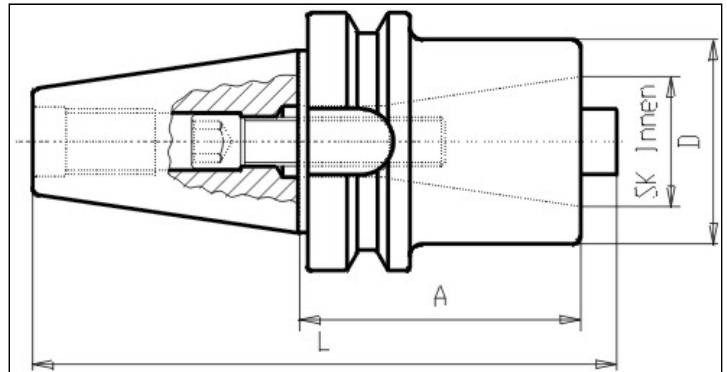


Illustration



(https://www.kfh-hermann.de/shop/shop/images/product_images/original_images/bilder_B462.jpg?XTCsid=n7eemf1jolajl8itk84fees403)

Drawing



(https://www.kfh-hermann.de/shop/shop/images/product_images/original_images/skizzen_Z462mb.jp?XTCsid=n7eemf1jolajl8itk84fees403)

Technical information

Usage:	For reducing BT to BT / SK
Scope of delivery:	with internal clamping screw
Customs tariff code:	84 661 02 0

Variants

Product No.	BT	Inside SK	A	Form	L	D	weight in kg	Stock 12.02, 08:14	Net-price
G462 40x30x 60	40	30	60	A	134	50	1,4	4	Please start an inquiry
G462 40x40x100	40	40	100	A	176	70	2,3	17	Please start an inquiry

Stock data from 2024-02-12 08:14:41

Kontakt

KARL HERMANN GmbH | Varnbülerstrasse 10 - 12 | D - 71229 Leonberg || Tel.: +49 (0)7152 / 93992-0 | Fax: +49 (0)7152 / 93992-4 | E-Mail: verkauf@kfh-hermann.de | Internet: <http://www.kfh-hermann.de>

2024-02-13 11:26:13, https://www.kfh-hermann.de/shop/product_info.php?products_id=189&XTCsid=n7eemf1jolajl8itk84fees403