

DIN 69871 - Reduction Arbor - SK40

https://www.kfh-hermann.de/shop/product_info.php?products_id=125&XTCsid=n7eemf1jolajl8itk84fees403

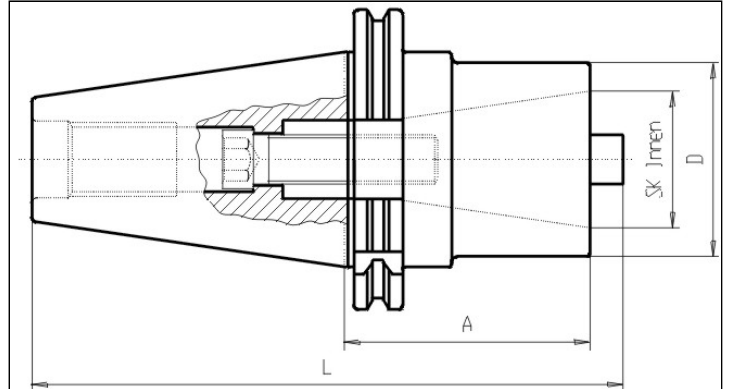


Illustration



(https://www.kfh-hermann.de/shop/shop/images/product_images/original_images/bilder_B362.jpg?XTCsid=n7eemf1jolajl8itk84fees403)

Drawing



(https://www.kfh-hermann.de/shop/shop/images/product_images/original_images/skizzen_Z362mb.jp?XTCsid=n7eemf1jolajl8itk84fees403)

Technical information

Usage:	For reducing SK to SK
Scope of delivery:	with internal clamping screw
Customs tariff code:	84 661 02 0

Variants

Product No.	SK	Inside SK	A	Form	L	D	weight in kg	Stock 12.02, 08:14	Net-price
G362 40x30x 50	40	30	50	A	119	50	1,2	2	Please start an inquiry
G362 40x40x100	40	40	100	A	169	70	2,2	32	Please start an inquiry

Stock data from 2024-02-12 08:14:41

Kontakt

KARL HERMANN GmbH | Varnbülerstrasse 10 - 12 | D - 71229 Leonberg || Tel.: +49 (0)7152 / 93992-0 | Fax: +49 (0)7152 / 93992-4 | E-Mail: verkauf@kfh-hermann.de | Internet: <http://www.kfh-hermann.de>

2024-02-13 10:54:02, https://www.kfh-hermann.de/shop/product_info.php?products_id=125&XTCsid=n7eemf1jolajl8itk84fees403