

GREAT OFFER

For
3 MONTHS ONLY!

MiTM

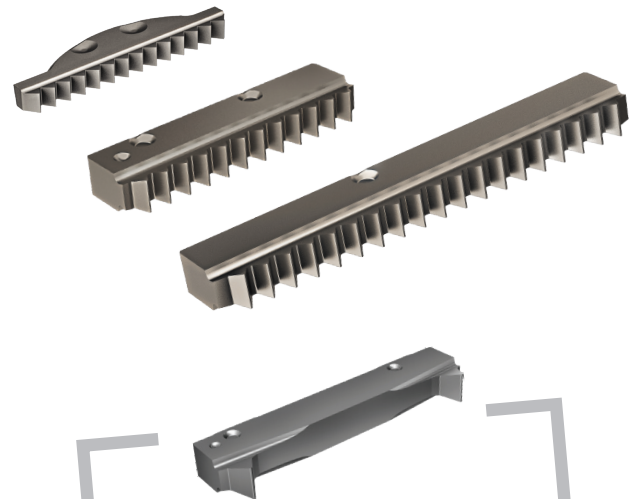
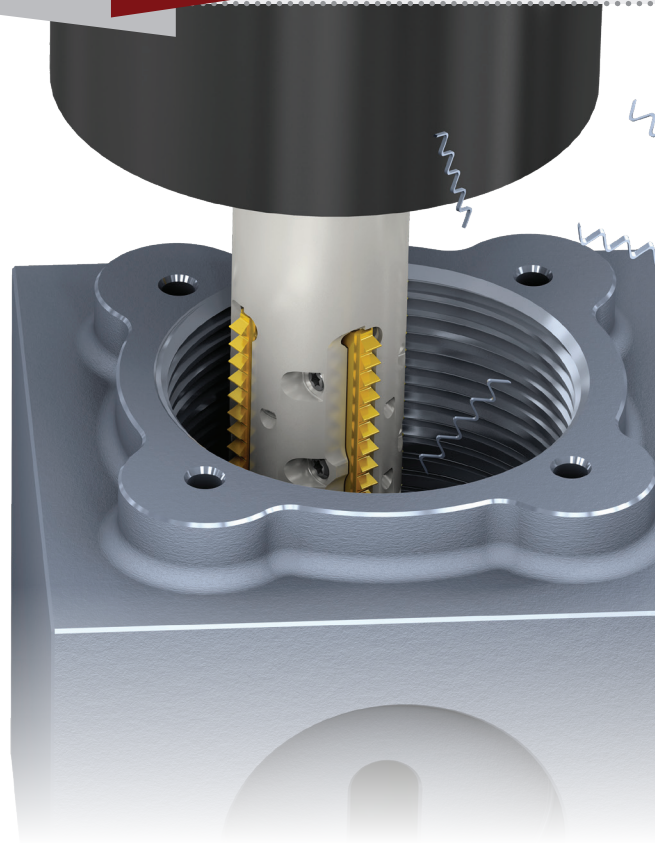
Super Fast Thread Milling System

Buy **8** standard **MiTM** inserts*
of the **same** item
and receive a
FREE toolholder**

or

Buy **12** standard **MiTM** inserts*
of the **same** item
and receive a
FREE Shell Mill toolholder**

** Toolholders should match the ordered inserts



* Now includes the
NEW MiTM Offset
inserts!

VALID

**July 1 -
September 30, 2021**

Please be in contact with your Customer Service Representative to order now.

For additional updates and news visit the VARGUS website: www.vargus.com